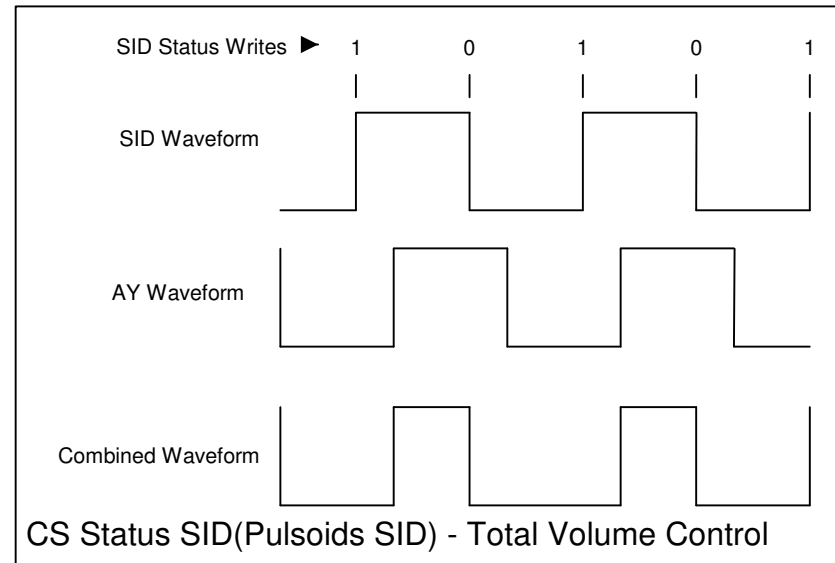
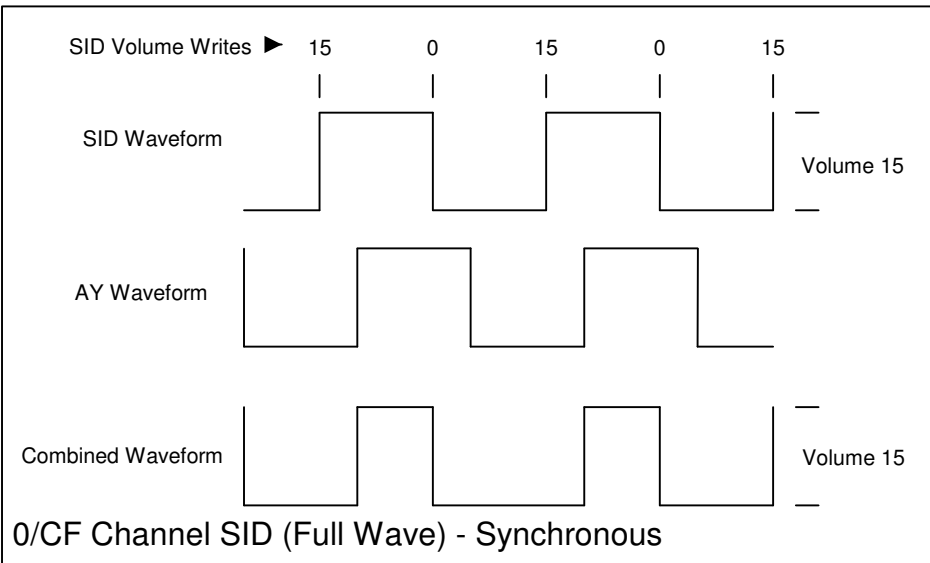
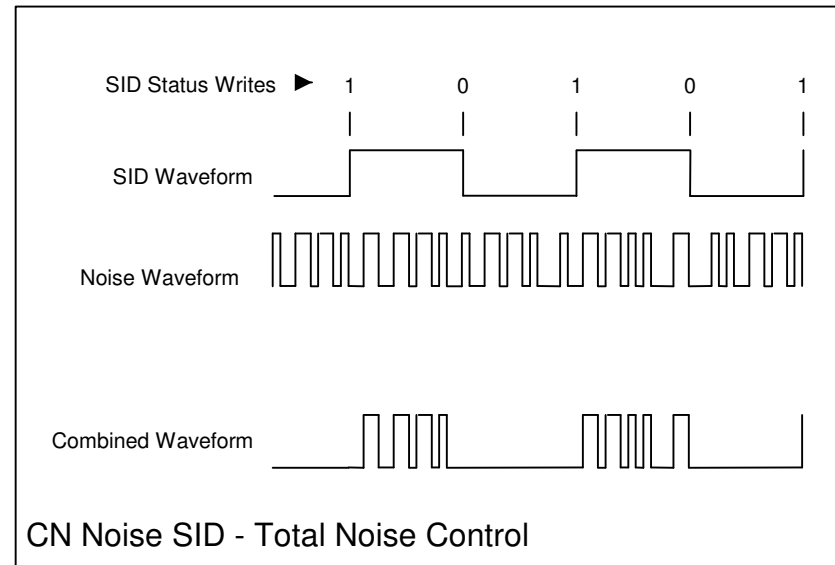
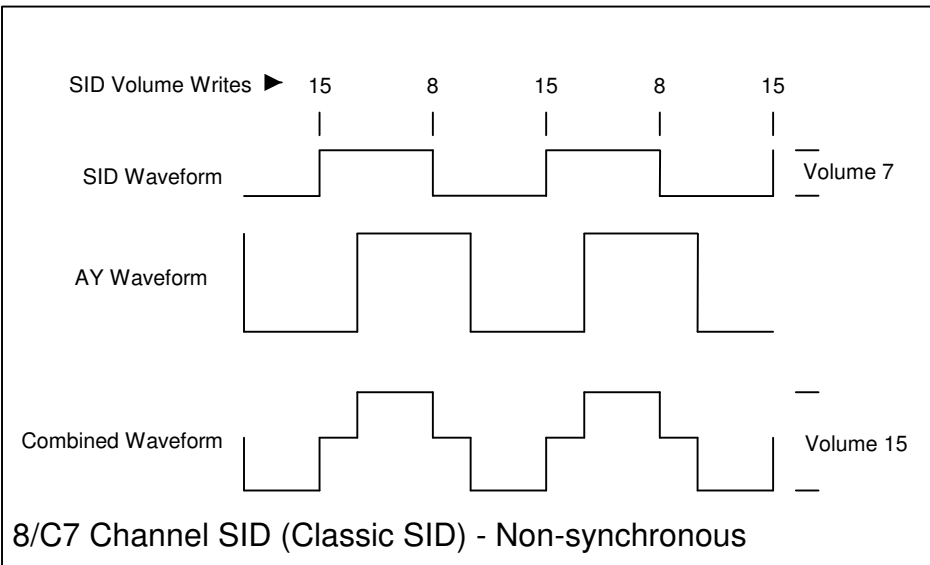


WAVE 1.0 - Channel, Noise and Status(Tone) SID



x/Zy refers to the Note Volume set(x) and the Command parameter(y)